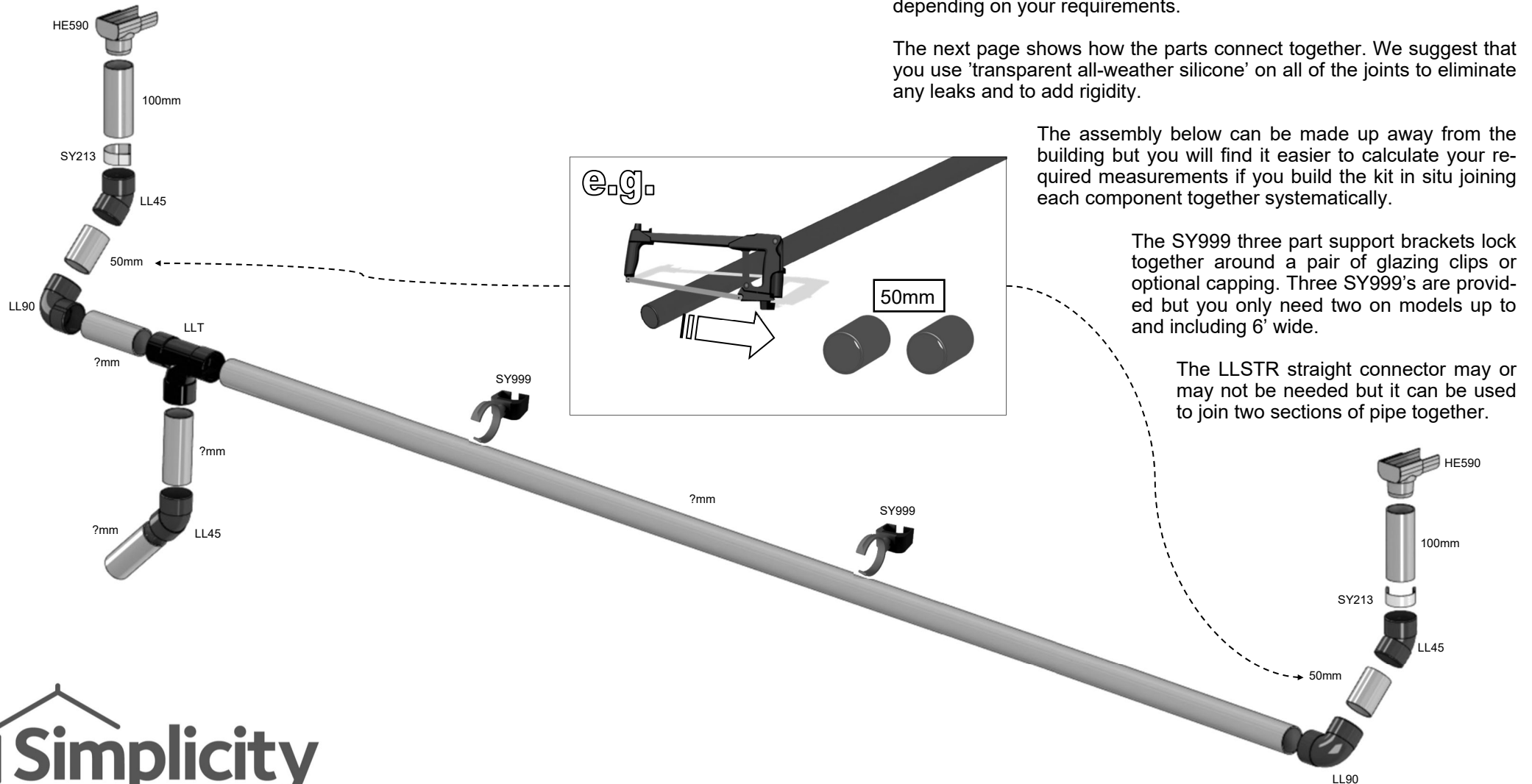


'56' + DSRWK	Part No	HE590	HE591	LL45	LL90	LLT	LLSTR	SY213	SY999	LLPIP (= 1m PIPE)			
	Detail												
	Length 'mm'	n/a	n/a	n/a	n/a	n/a	n/a	n/a	n/a	n/a	300	600	2000
	Quantity	2	2	3	2	1	1	2	3		2	2	1

On simplicity models the DSRWK pack needs to be used in conjunction with the standard simplicity rain kit, find me quick code '56' <https://www.greenhousepeople.co.uk/greenhouse/56/simplicity-downpipes-pair/> The special rainwater kit is designed to allow two gutters to be connected across the rear of a high eaves greenhouse up to and including 8' in width. Some extra pipe 1m or 2m pipe will also be needed, e.g. <https://www.greenhousepeople.co.uk/greenhouse/882/black-pipe-1m-36mm/>

Below is an exploded diagram which shows all of the itemized parts and how the pipe needs to be tailored to suit your building width with a hacksaw. The '?mm' symbol means that this measurement is variable depending on your requirements.

The next page shows how the parts connect together. We suggest that you use 'transparent all-weather silicone' on all of the joints to eliminate any leaks and to add rigidity.



The assembly below can be made up away from the building but you will find it easier to calculate your required measurements if you build the kit in situ joining each component together systematically.

The SY999 three part support brackets lock together around a pair of glazing clips or optional capping. Three SY999's are provided but you only need two on models up to and including 6' wide.

The LLSTR straight connector may or may not be needed but it can be used to join two sections of pipe together.

